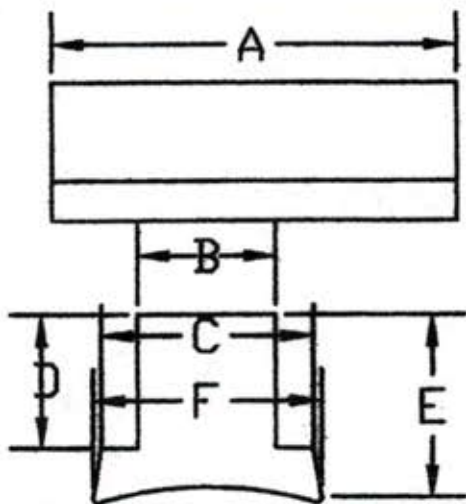


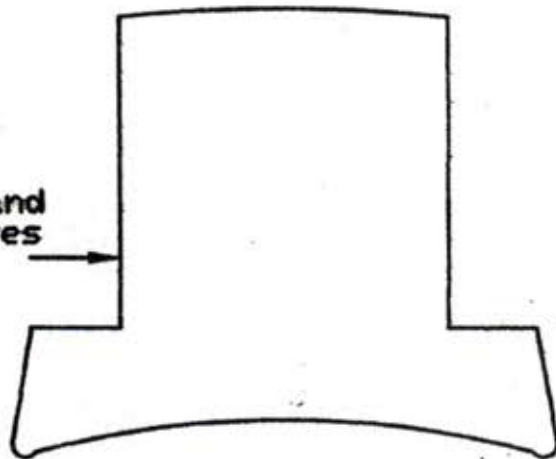
Jasper Electric Motors, Inc


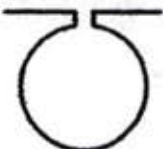
175 Curry Hwy. Jasper, AL 35502
 800-382-5643 Fax 205-384-6073
 JEM@BELLSOUTH.NET

Customer: _____	Date: _____
Address: _____	P.O.#: _____
City/State/Zip: _____	Tel.#: _____
Contact Name: _____	Fax#: _____
Mfg: _____	Voltage: _____
Hp: _____	Enclosure: _____
R.P.M.: _____	Design: _____
Frame: _____	Motor Application: _____
No. of Slots: _____	Quantity needed: _____



Sketch Pins and Welding Grooves



Dimensions	(Inches)	Drilled and Tapped Holes
A		<div style="display: flex; align-items: center; justify-content: center;"> <div style="border: 1px solid black; width: 100px; height: 40px; margin-right: 10px;"> <div style="display: flex; justify-content: space-around; width: 80%; margin: 5px auto;"> # of Tapped Holes </div> </div> <div style="border: 1px solid black; width: 60px; height: 20px; margin-right: 5px;"> <div style="display: flex; justify-content: space-between; width: 95%; margin: 2px auto;"> Width </div> <div style="display: flex; justify-content: space-between; width: 95%; margin: 2px auto;"> Depth </div> </div> </div>
B		
C		
D		
E		
F		
Notes:		<div style="display: flex; justify-content: space-around; align-items: center;"> <div style="text-align: center;">  </div> <div style="text-align: center;">  </div> </div> <p style="text-align: center; margin-top: 5px;">If Not Shown Please Sketch</p>